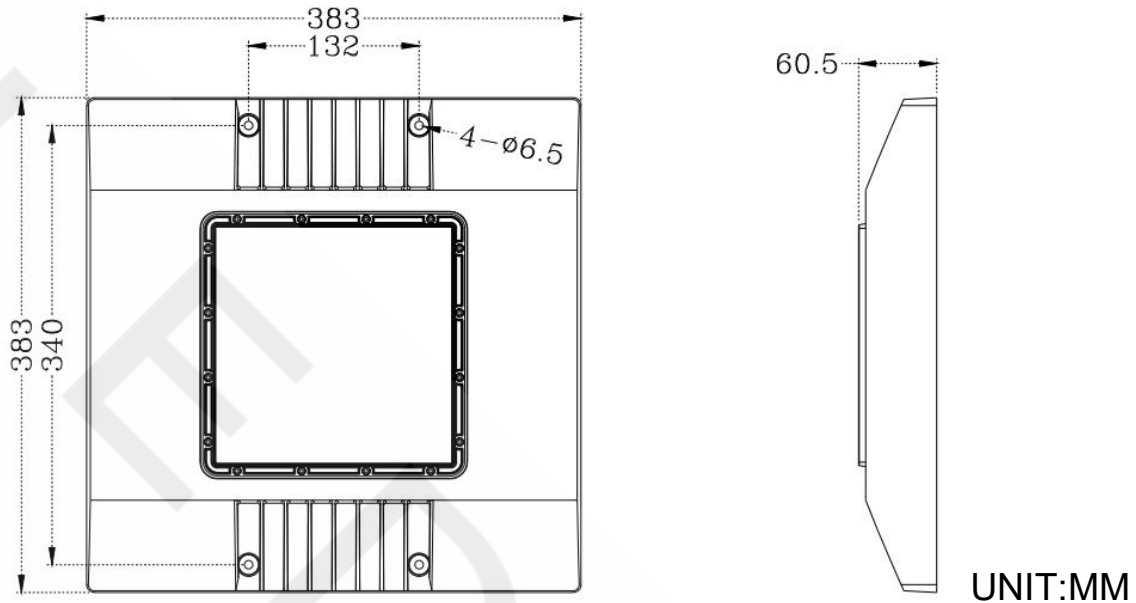


**Product Name :** LED Canopy Light LD Series

**Part No:** LD-150XX (XX=PW WW NW)



# 1. Outlook



# 2. Application

Gas Station | Office | Factory | Warehouse | Shopping Mall | Gymnasium |  
Plant Area | Petrol Station Conference Centers | Shopping Mall | Garage |  
Workshop Station

# 3. Features

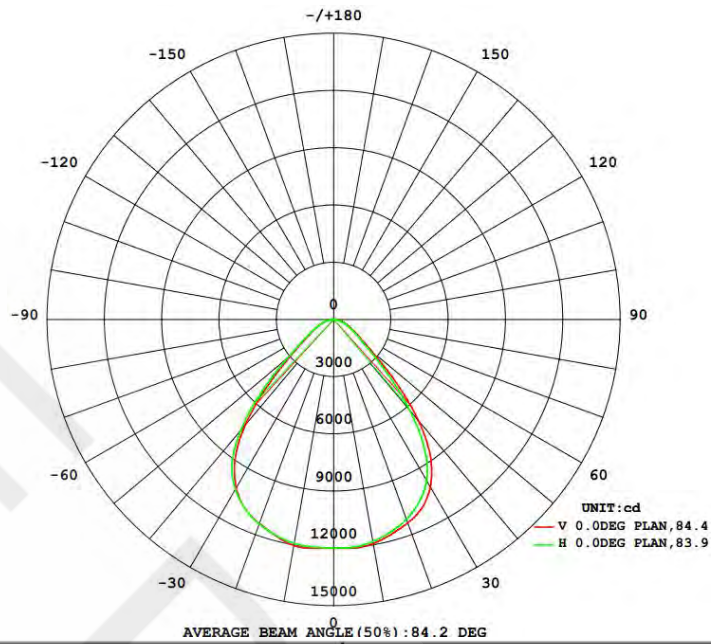
- Using LUXEON 5050 led chip to ensure high lumen and long life. Whole lamp output light efficiency >160LM/W.
- Adoption LEDPRO exclusive Lens with light transmittance up to 98%.
- Seals using silicone rubber, oil proof, aciduric, alkali fast, fire resistant. The unit construction of lamp adopt waterproof and dustproof design, It can meet the indoor and outdoor needs .
- Perfect Light Distribution Solution: Adoption of integrated shell optic lens, enhance the brightness and illumination uniformity.
- There are 95°beam angle for your optional, optimized light distribution design solution.
- High luminous efficiency, High quality power supply, input voltage 100-240V. The power efficiency is more than 90%, power factor greater than 0.98, UL compulsory certification.
- The whole lamp with the powder coating is brighter, without fading and corrosion.
- Impact Resistance, Shock-proof, Without Ultraviolet (UV) and Infrared (IR) Radiation: No filament and glass frames, avoid break of the traditional lamp, without harm to the human body.
- The CCT of Warm white、 Neutral white、 Pure white to meet the needs of different occasions, eliminated the low color temperature of the sodium lamp which cause the depressed mood, observers will feel more comfortable.

## 4、Specification

Par NO	LD-150PW	LD- 150WW	LD- 150NW
Parameter			
Inptut voltage	AC100V~305V 50/60HZ		
Sysem consumption(W)	150	150	150
Luminous flux(lm)	24000	21000	23200
Chip Brand	LUXEON 5050	LUXEON 5050	LUXEON 5050
Color Temperature	Pure white:5000-6500K	Warm white:2700-3200K	Neutral white:4000-4500K
CRI	>75		
Beam Angle	85 DEG		
LED Driver	MEAN WELL HLG-150H / ELG-150 / XLG-150		
Luminous efficiency(lm/w)	>160		
Lifespan(hrs)	>50000		
IP Rating	IP66		
Dimmable	YES&NO	YES&NO	YES&NO
Size(mm)	383x383x61	383x383x61	383x383x61
Net Weigh(kg)	5.8	5.8	5.8
Package Size(mm)	428*428*125	428*428*125	428*428*125
Package Quantity(Pcs)	1	1	1
Gross Weigh(kg)	6.6	6.6	6.6



# 5. Distribution Curve



Height	Eavg, Emax	Angle: 83.90deg	Diameter
1.219m	4272, 8069lx		219.19cm
2m	1588, 2998lx		359.56cm
3m	705.6, 1333lx		539.33cm
4m	396.9, 749.6lx		719.11cm
5m	254.0, 479.7lx		898.89cm
6m	176.4, 333.2lx		1078.67cm
7m	129.6, 244.8lx		1258.45cm
8m	99.23, 187.4lx		1438.22cm
9m	78.40, 148.1lx		1618.00cm
10m	63.51, 119.9lx		1797.78cm

## 6. Operation and Storage Condition

- Operation Ambient Temperature -25 to +50°C, Relative Humidity 20~90%
- Input Voltage 100~240V AC, 50/60Hz
- Storage Ambient Temperature -30 to +65°C, Relative Humidity 5~95%
- Mounting Height : Suitable for 6~18m height

## 7. Assembly and Installation

- Assembly-Electricity
  - Blue : Neutral
  - Brown : Line
  - Yellow-Green : Ground

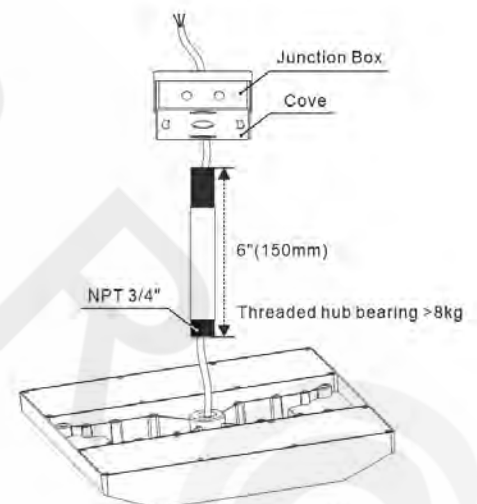


## 8. Installation Instruction

### (1) MOUNTING WITH PIPE OF INSTALLATION:



a.



#### STEP1:

Feed the luminaire leads through the Stem and attach Stem to luminaire by threading the stem into the threaded hub.

#### STEP2:

Assemble the junction box to the Stem by placing one of the conduit nut onto stem.

#### STEP3:

Loosen, do not remove, junction box screw and flip junction box cover up. Place the junction box onto the stem.

#### STEP4:

Place the second conduit nut on to the stem from inside the junction box and tighten the nut.

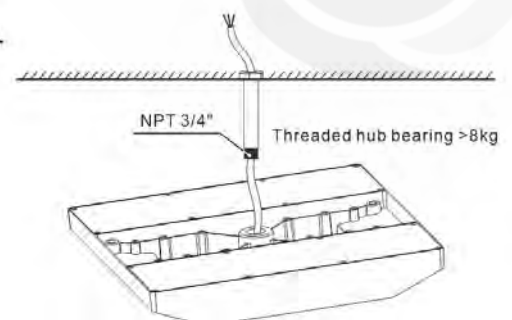
#### STEP5:

Connect the wires correctly and make sure the good wire protection.

#### STEP6:

Sealed by water proof glue between fixture and pole.

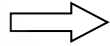
b.



## (2) RECESSED OF INSTALLATION:

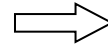
### STEP1:

Open a 330 \* 160 mm through hole on the ceiling.



### STEP2:

Use included screws to attach mounting brackets to luminaire.



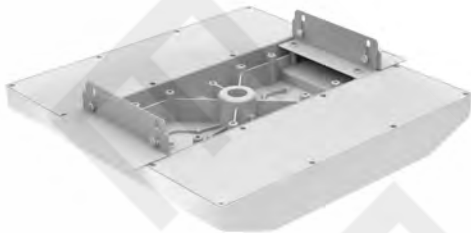
### STEP3:

The luminaire Recessed canopy, Use screws to attach mounting brackets.

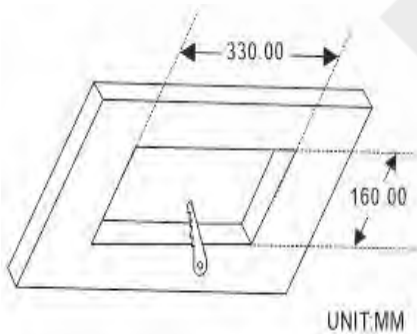


### STEP4:

Connect the wires correctly and make sure the good wire protection.

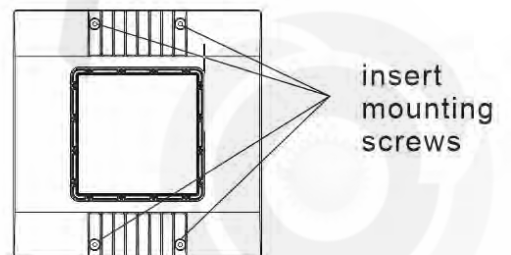


*\*After installation, sealed by waterproof glue between fixture and the mounting surface.*



## (3) SURFACE OF INSTALLATION:

*\*Make sure that the ceiling can support the weight of the lamp.*



### STEP1:

Openings one hole greater than 10-40mm through hole in the ceiling.

### STEP2:

Put the fixture on the ceiling, make four marks according to 4 mounting kits, then drill 4 holes for them.

### STEP3:

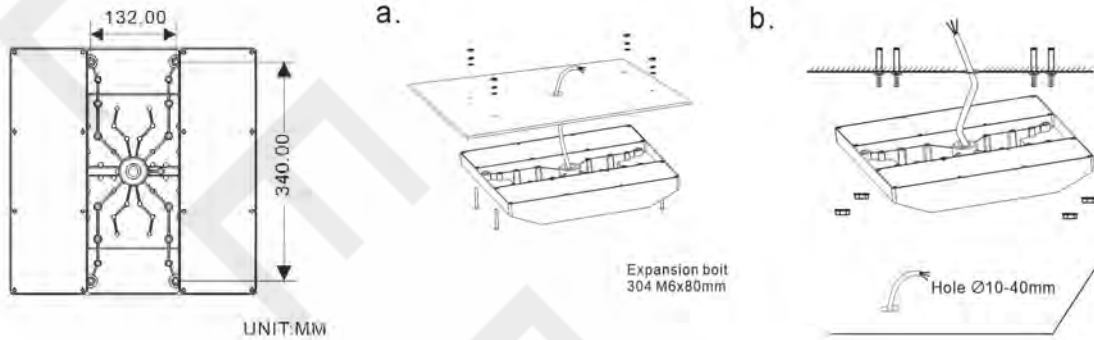
Connect the wires correctly and make sure the good wire protection.

**STEP4:**

Get rubber plugs into the holes, match 4 mounting kits to the Rubber plugs, then fix the fixture on the ceiling by screws. Ensure that no wires are pinched during installation of luminaire.

**STEP5:**

After installation, sealed by waterproof glue between fixture and the mounting surface.

**(4) WITH HANDLE OF INSTALLATION:****STEP1:**

First check if the site can afford the weight of more than 1.5 times of the light. If not, please do not install.

**STEP2:**

Install the LED modular Light onto the wall or the lampposts: punch hole on the wall or lampposts, prepare the expansion screw, and then fasten the LED modular Light.

**STEP3:**

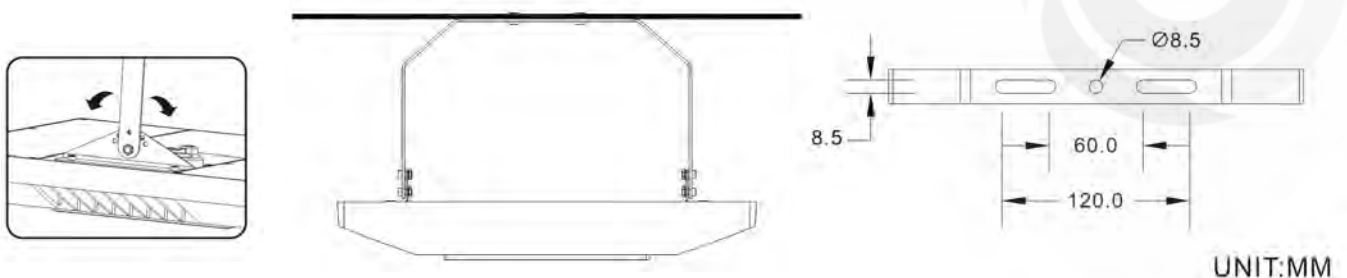
Remove the hexagonal screws on the LED modular Light handle, then adjust the angle you need, finally fasten the LED modular Light with the screws.

**STEP4:**

The ex-factory of the standard components of the LED modular Light include a 3\*1mm<sup>2</sup> cable. Connect the wires correctly.

**STEP5:**

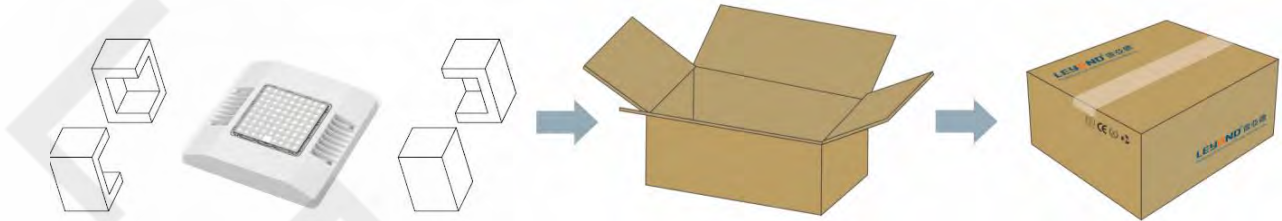
Switch on the power and make sure the light is on. Then the installation is done.



## 9.Package

Inner box Size: 428mm×428mm×125mm

Outer box Size: 450mm×450mm×290mm (2 PCS LED Canopy Light)



## 10.Warning

- Please handle the product with care when open the package.
- Do Not Open the Light Engine
- Do Not Soak the light into Water
- Do Not Light up the System Without Grounding
- Do Not Use Dimmer
- In order to ensure the product work properly, please use the power supply within indicating voltage range.
- Whatever the case, lamps can not be covered by heat resistant gasket or similar materials.